

Technical details

ROAD STUD

ONE-WAY



Dimensions

Ø161mm H: 101mm (Ø6 3/8" H: 4")

Height above road surface

Stainless steel version: 9mm (11/32")

Aluminum version: 7.3mm (9/32")

Material

Aluminum ground sleeve with corrosion-resistant insert made of stainless steel alloy or aluminum, each with polycarbonate look for LED

Protection category

IP 68

IK 10

Light Unit (replaceable)

8 standard LEDs or 4 high-power LED

Beam angle

15°

Light colors

Daylight white, warm white, red, orange, green, blue

Light-control features

In connection with Road Stud Control controller, various sensors can be used:

- real-time operating hours
- motion sensor
- dimmable
- External control signals via RS232, RS422, RS485, USB, SPI, ETHERNET, RF433/686/915 MHZ, LORA

Areas of application

Unidirectional solar road stud for

- marking hazards, traffic islands, roundabouts, bicycle paths
- entry lighting
- traffic guidance systems
- adaptation lighting
- marking of pedestrian crossings

Highlights

Low light emission in natural areas, since operating times, e.g. from 11 p.m. to 5 a.m. can be restricted

Load capacity

Stainless steel: 120 tons - snowplow-proof

Aluminum: 30 tons

Voltage

Standard LED: 12V DC or 24V DC or 42V AC or 18V-72V DC or 230 V AC

High-power LED: 24V DC

Energy consumption

Standard LED: 30-80mA depending on light color and operating voltage

High-power LED: 200mA

Operating temperature

-25 °C to +85 °C (-13 °F to +185 °F)

Certifications

CE, polycarbonate UL 94 V0

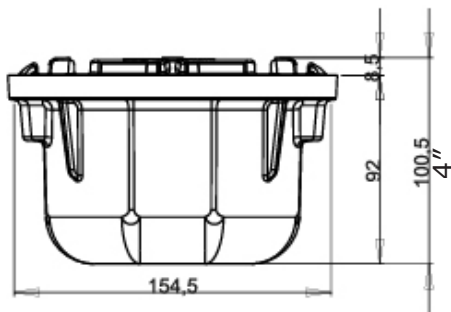
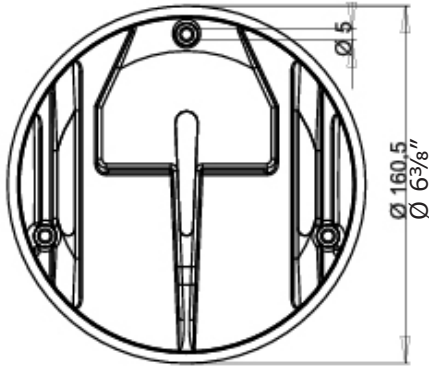
Weight

Stainless steel: 3 kg (6.6 lbs)

Aluminum: 2 kg (4.4 lbs)

Dimensions/article numbers

ROAD STUD ONE-WAY



Product Number

| | | | | | | | |
|-----------|----------|-----------|----------|-----------|----------|----------|----------|
| 71 | 1 | 00 | 1 | 00 | 2 | 3 | 3 |
|-----------|----------|-----------|----------|-----------|----------|----------|----------|

Model
71 = Hardwired
One-Way

Light Distribution
1 = unidirektional

Light Color
02 = red
03 = orange
07 = blue
08 = daylight white (5500K)
09 = warm white (3000K)

Light Mode
1 = Steady
2 = Flashing

Material
2 = Aluminium
3 = Stainless Steel

Power Supply
1 = 12 VDC
2 = 24 VDC
3 = 230 VAC

LED Configuration
2 = Low Power LED
3 = High Power LED