

Technical details

ROAD STUD

TWO-WAY



Dimensions

Ø161mm H: 101mm (Ø6 3/8" H: 4")

Height above road surface

8.5mm (11/32")

Material

Aluminum ground sleeve with corrosion-resistant insert made of stainless steel alloy or aluminum, each with polycarbonate look for LED

Protection category

IP 68
IK 10

Light Unit (replaceable)

16 standard LEDs or 4 high-power LED

Beam angle

15°

Light colors

Daylight white, warm white, red, orange, green, blue

Light-control features

In connection with Road Stud Control controller, various sensors can be used:

- real-time operating hours
- motion sensor
- dimmable
- External control signals via RS232, RS422, RS485, USB, SPI, ETHERNET, RF433/686/915 MHZ, LORA

Areas of application

Bidirectional solar road stud for

- marking hazards, traffic islands, roundabouts, bicycle paths
- entry lighting
- traffic guidance systems
- adaptation lighting
- marking of pedestrian crossings

Highlights

Low light emission in natural areas, since operating times, e.g. from 11 p.m. to 5 a.m. can be restricted

Load capacity

90 tons – safe for snowplows

Voltage

Standard LED: 12V DC or 24V DC or 42V AC or 18V-72V DC or 230 V AC

High-power LED: 24V DC

Energy consumption

Standard LED: 60-160mA, depending on light color and operating voltage

High-power LED: 200mA

Operating temperature

-25 °C to +85 °C (-13 °F to +185 °F)

Certifications

CE, polycarbonate UL 94 V0

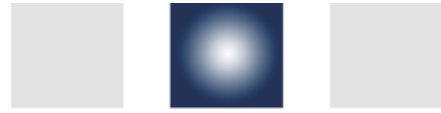
Weight

Stainless steel: 3 kg (6.6 lbs)

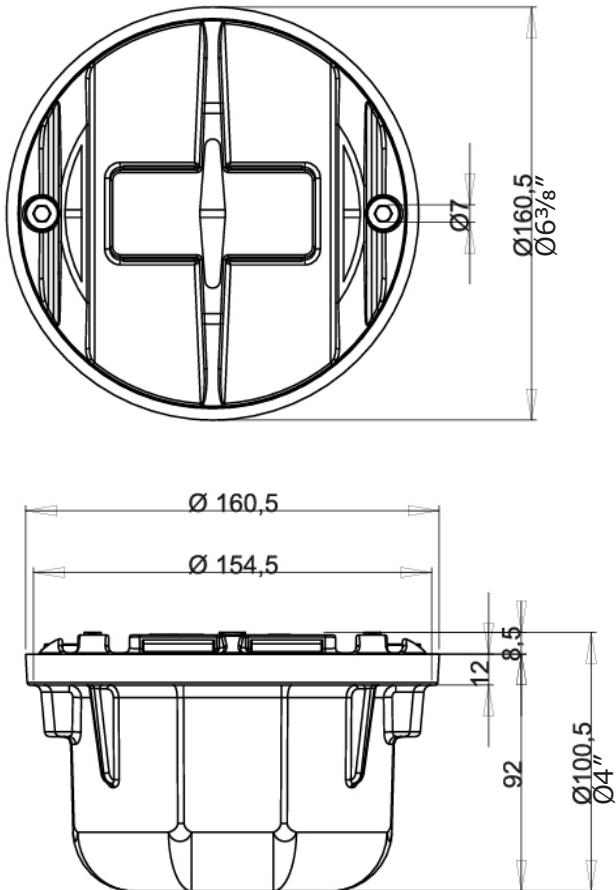
Aluminum: 2 kg (4.4 lbs)

Dimensions/article numbers

ROAD STUD TWO-WAY



JoBe Lighting



Product Number

72	2	00	1	08	2	3	3
-----------	----------	-----------	----------	-----------	----------	----------	----------

Model

72 = Hardwired
Two-Way

Light Distribution

1 = unidirektional

Light Color Right Side

02 = red
03 = orange
07 = blue
08 = daylight white (5500K)
09 = warm white (3000K)

Light Mode

1 = Steady
2 = Flashing

Light Color Left Side

02 = red
03 = orange
07 = blue
08 = daylight white (5500K)
09 = warm white (3000K)

Material

2 = Aluminium
3 = Stainless Steel

Power Supply

1 = 12 VDC
2 = 24 VDC
3 = 230 VAC

LED Configuration

3 = High Power LED