

Technical details

SOLAR BASIC



Dimensions

Ø124mm H:81 mm (Ø 4 7/8" × H 3 3/16")

Height above road surface

9mm (11/32")

Material

Aluminum ground socket with glued-on polycarbonate optics for LED

Protection category

IP 68
IK 10

Light Unit

Unidirectional: 3 LEDs
Bidirectional: 6 LEDs
Light unit NOT replaceable

Beam angle

15°

Light colors

Daylight white, warm white, red, orange, green, blue

Light-control features

- Built-in light sensor for automatic switch-on when it gets dark
- Programmable operating and rest times

Certifications

CE, polycarbonate UL 94 V0

Weight

1kg (2.2lbs)

Areas of application

Unidirectional or bidirectional
Solar Road Stud for

- marking hazard spots, traffic islands, roundabouts, bicycle paths
- entry lighting
- marking of pedestrian crossings

Highlights

- Low light emission in natural areas, as operating times, e.g. from 11 p.m. to 5 a.m., can be restricted (programmable before delivery)
- Deep discharge protection function

Load capacity

40 tons

Charging requirements

Capacitor version:

- Charges faster, less autonomy; suited for hot climates with strong sunlight.
- 4 hours of direct sunlight per day

Battery version:

- Min. 5-year lifetime under standard conditions; better for limited daylight.
- Built-in battery initially requires two sunny days to fully charge and then at least 4 hours of direct sunlight per day and two sunny days every 12 months

Operating life

Capacitor version:

- 25h continuous light or 38h flashing

Battery version:

- 750h continuous light or 1150h flashing

Operating temperature

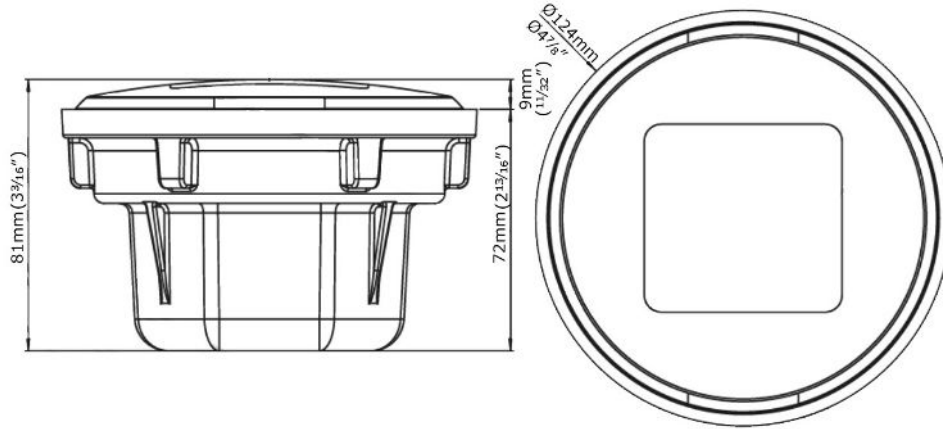
-25 °C to +85 °C (-13 °F to +185 °F)

Mode of operation

continuous or flashing

Dimensions/article numbers

SOLAR BASIC



Product Number

61 2 08 2 08 1 4 2

Model
61 = Solar Basic

Light Distribution
1 = unidirectional
2 = bidirectional

Light Color Right Side
00 = none
02 = red
03 = orange
07 = blue
08 = daylight white (5500K)
09 = warm white (3000K)

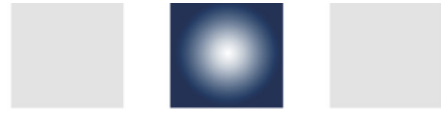
Light Mode
1 = Steady
2 = Flashing

Light Color Left Side
02 = red
03 = orange
07 = blue
08 = daylight white (5500K)
09 = warm white (3000K)

Material
1 = Polycarbonat

Power Mode
4 = Battery
5 = Capacitor

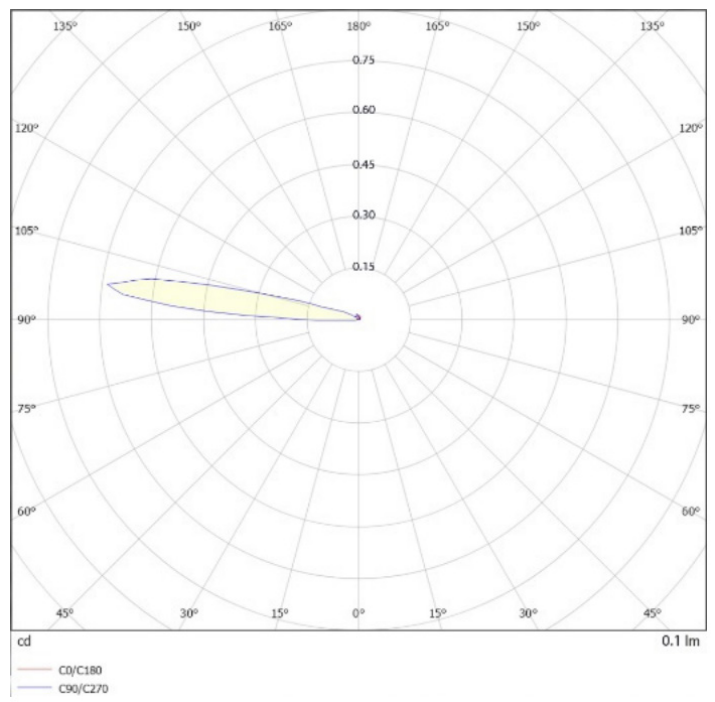
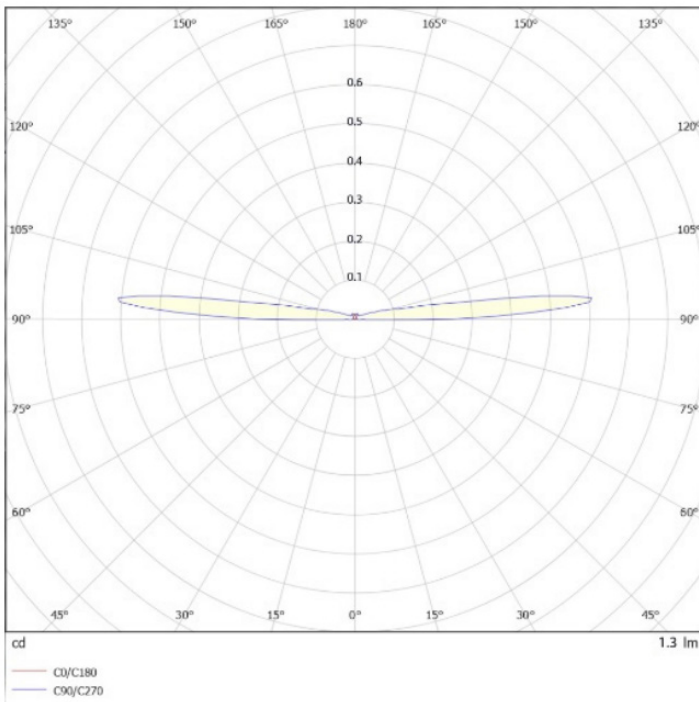
LED Configuration
1 = Low Power - all night on
2 = Low Power with schedule (can be defined)



Low light emission of only 0.1-1.3 lm. This corresponds to a fraction of a candle's glow, at around 10-12lm.

SOLAR BASIC Bidirectional

SOLAR BASIC Unidirectional



Light spectrum 2700K

